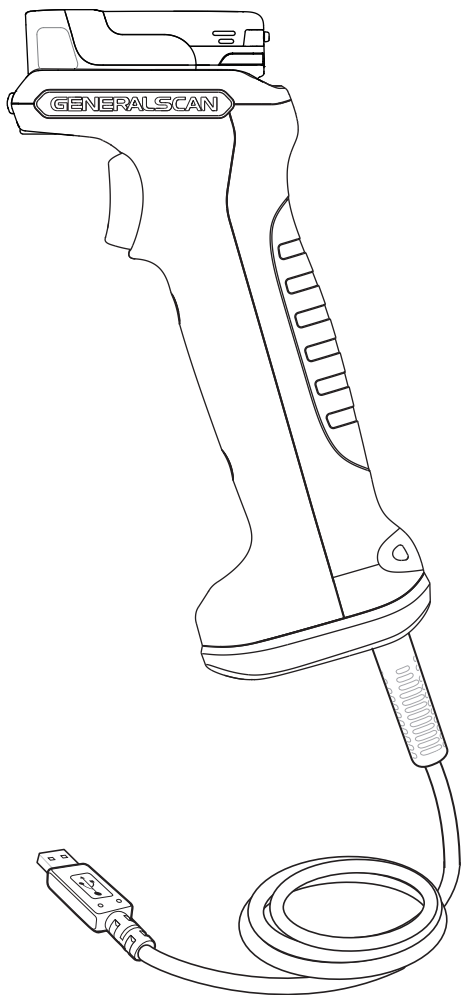


GENERALSCAN

Flexgrip-wired

GS GHR202

QUICK START GUIDE



EN

GENERALSCAN QUICK START GUIDE

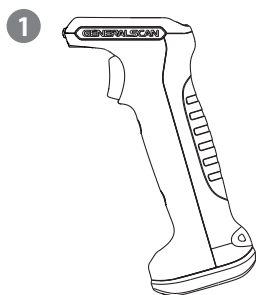
This guide introduces the assembly method and the basic configurations barcodes of the Flexgrip GS GHR202, you can adjust the settings and modes of your device according to your wishes and get it work easily. If any further questions, please contact support@generalscan.cloud

COPYRIGHT

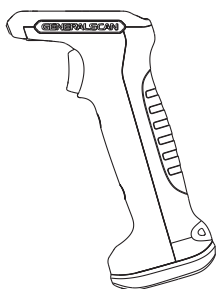
GENERALSCAN reserves the right to make changes to any product to improve reliability, function, or design.

GENERALSCAN does not assume any product liability arising out of, or in connection with the application or use of any product, circuit, or application described herein.

UNPACKING



OR

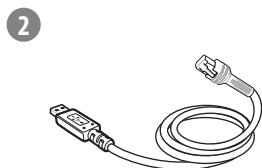


GS GHR202-S x 1

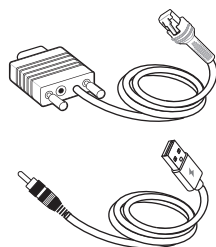
GS GHR202-L x 1

for Scanner GS R152# & GS R352#

for Scanner GS R1120 & GS R552#



OR



RJ45/USB Cable x 1
for GHR202-#-RJ45/USB

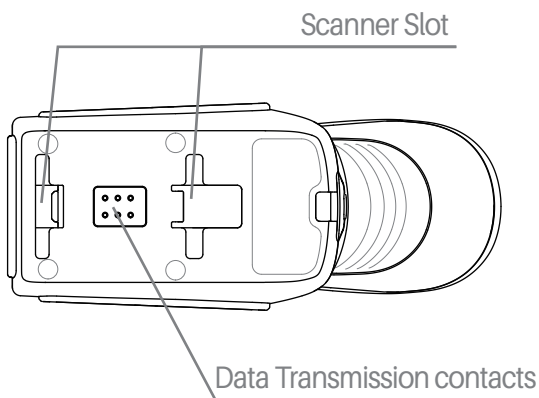
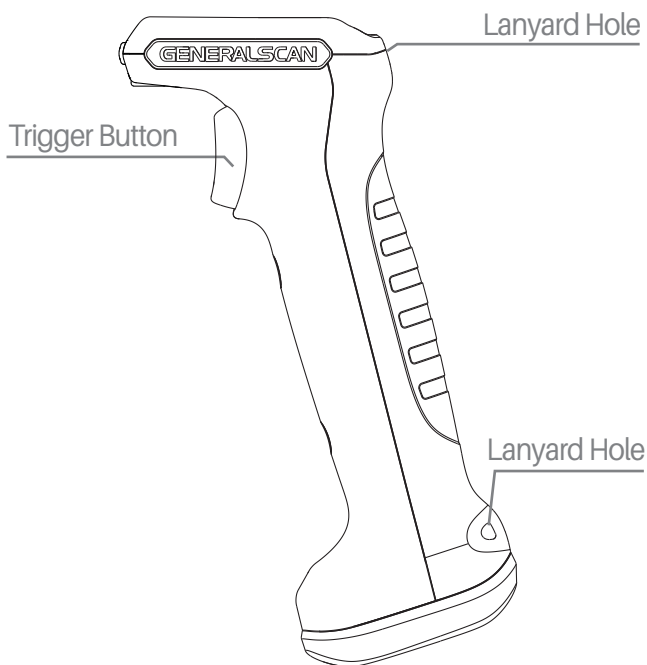
RJ45/RS232 & DC/USB Cable x 1
for GHR202-#-RJ45/RS232

3

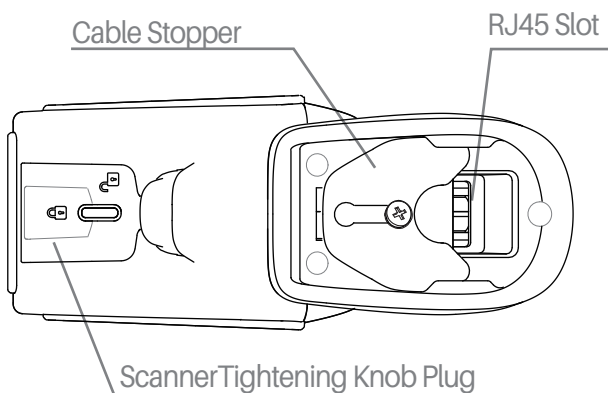


Resource Download Card x 1

FEATURES



■ FEATURES

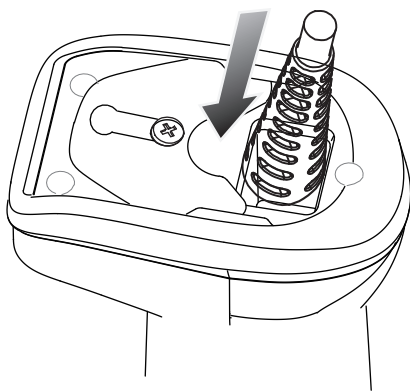


■ CABLE CONNECTION

Step 1. Insert RJ45 cable terminal into the RJ45 jack on Flexgrip.

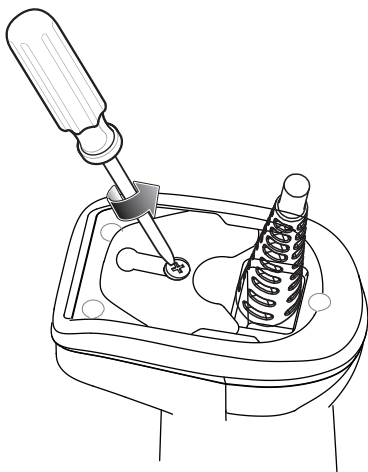
USB Cable (PN : 886783051001) for GHR202-S/L-RJ45/USB

RS232 Cable (PN : 886783056001) for GHR202-S/L-RJ45/RS232

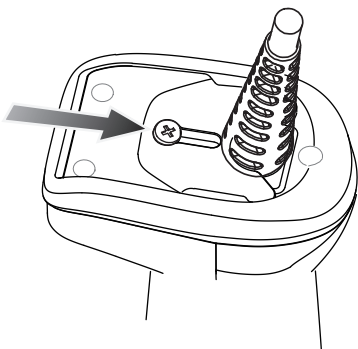


■ CABLE CONNECTION

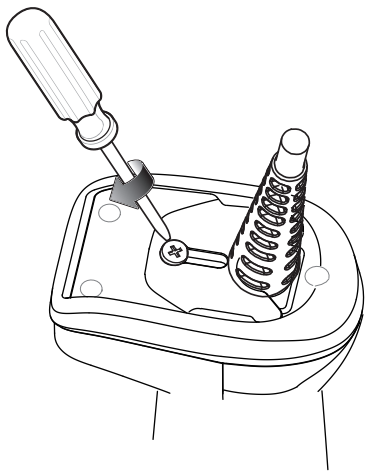
Step2. Loosen the screw on the cable stopper using a screwdriver.



Step3. Slide cable stopper into the position of locking the harness.

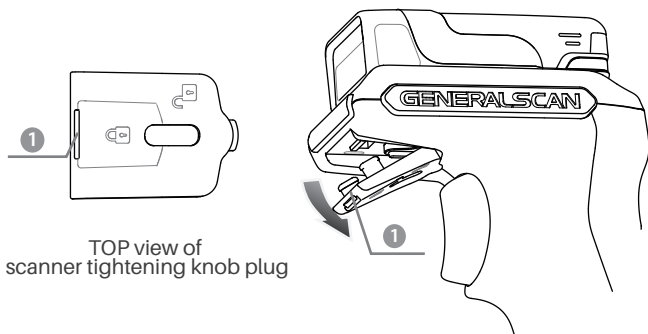


Step4. Tighten the screw on the cable stopper using a screwdriver.

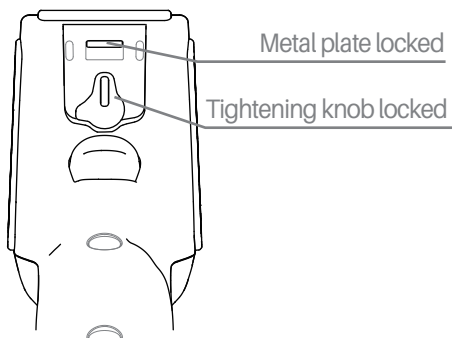


■ ASSEMBLE THE SCANNER

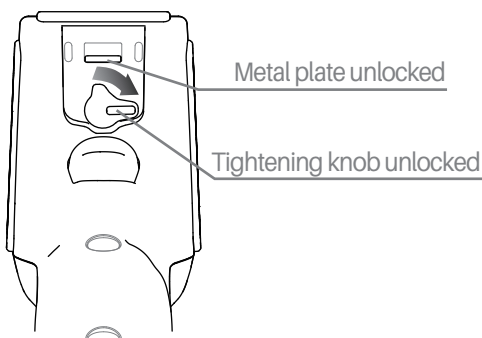
Step1. Remove the plug by unscrewing the tightening knob plug ① and remove the plug.



Step2. Expose the scanner tightening knob plug. Both the tightening knob and the metal plate are locked.



Step3. Move the scanner fastening knob clockwise to the unlocked position and make sure that the metal plate is in the unlocked state. Please move the metal plate to the unlocked position manually if it is not in the unlocked position.

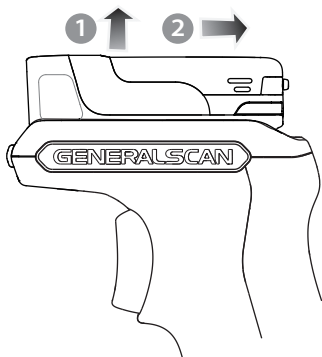


ASSEMBLE THE SCANNER

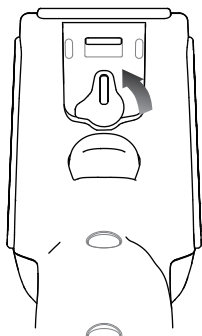
Step4. ① Insert the scanner into the slot on the handle. ② Then push the scanner forward to fit it well with the handle.

CHR202-S is for GS R152# & GS R352#

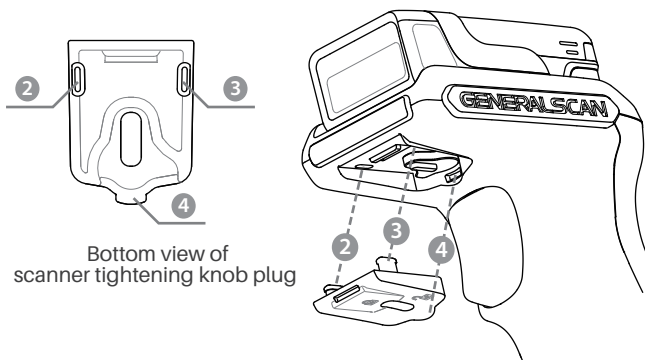
GHR202-L is for GS R1120 & GS R552#



Step5. Press the scanner against the handle, and at the same time move the scanner tightening knob counterclockwise to the locked position.

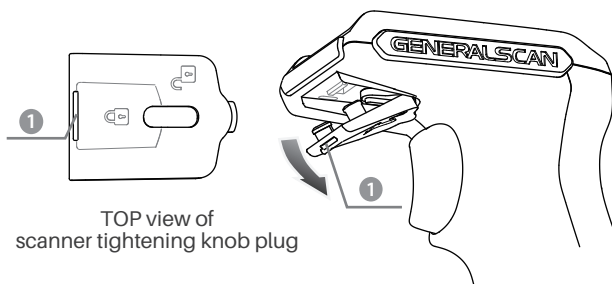


Step6. Assemble back the scanner tightening knob plug. Firstly assemble ②③, then assemble ④.

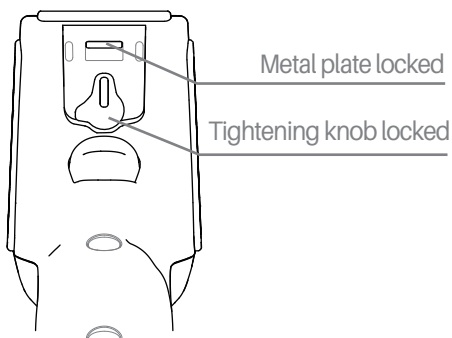


REMOVE OUT THE SCANNER

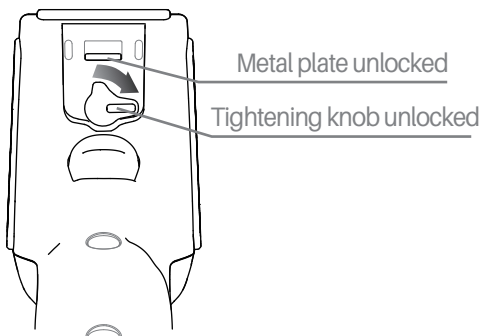
Step1. Remove the fastening knob plug by snapping downward at the position ①.



Step2. Expose the scanner tightening knob plug. Both the scanner tightening knob and the metal plate are unlocked.



Step3. Move the scanner fastening knob clockwise to the unlocked position and make sure that the metal plate is in the unlocked state. Please move the metal plate to the unlocked position manually if it is not in the unlocked position.

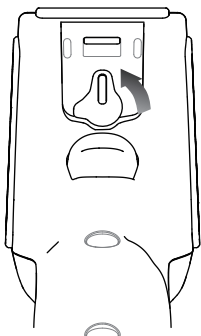


■ REMOVE OUT THE SCANNER

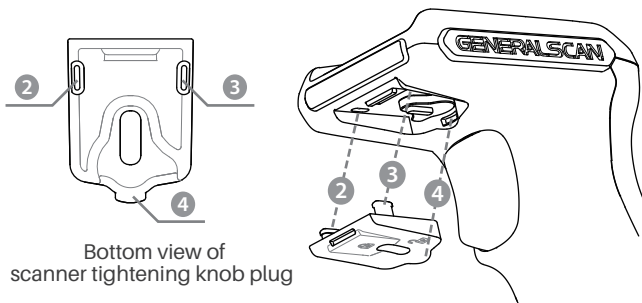
Step4. ①Push the scanner backward. ②At the same time, remove out the scanner by lifting upward.



Step5. Move the scanner tightening knob counterclockwise to the locked position.



Step6. Assemble back the scanner tightening knob plug. Firstly assemble ②③, then assemble ④.

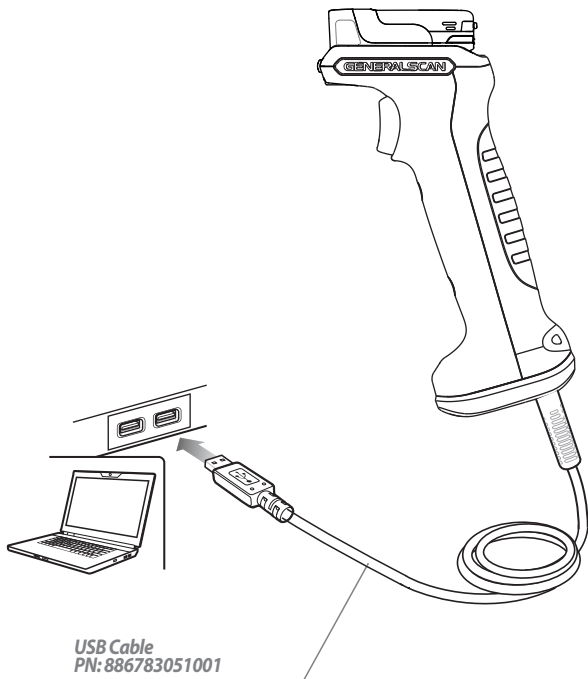


■ SCANNER POWER ON AND POWER OFF

Press the yellow trigger button for about 3 seconds, the scanner is powered on. The scanner turned off automatically when power is disconnected.

■ DATA OUTPUT MODE

GHR202-#-RJ45/USB refer to the picture as below



1. USB HID Mode (Default)

Step1. Connect the USB-A Cable

Step2. Scan the barcode below, enter into USB HID mode.



USB HID Mode (Default)

Step3. Open a notebook, data will be displayed at the cursor when scanning barcode.

SCANNER POWER ON AND POWER OFF

2. USB COM Mode

Step1. Connect the USB-A Cable

Step2. Scan the barcode below, enter into USB COM mode.



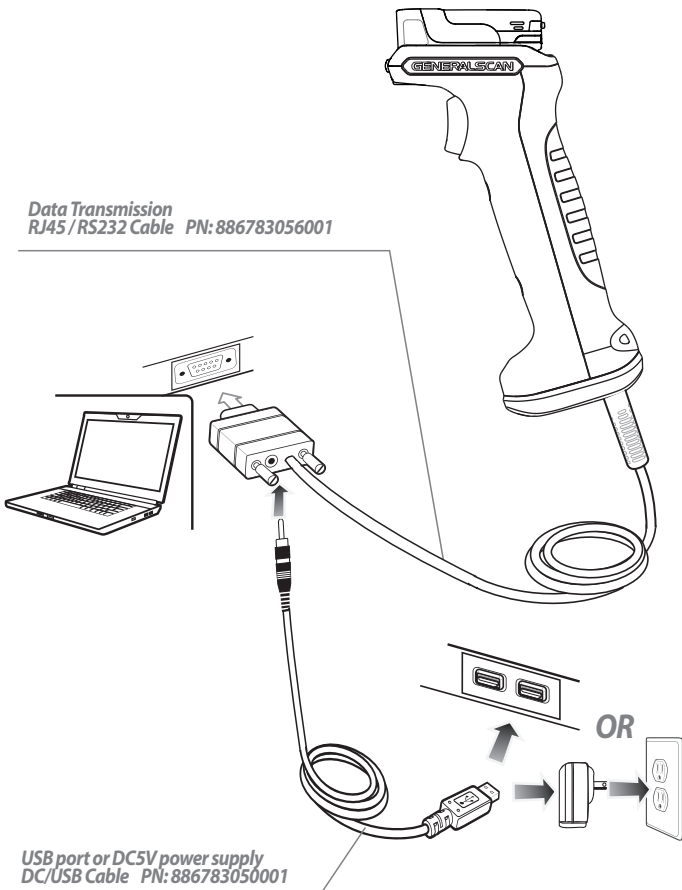
USB COM Mode

Step3. Open a serial software, data will be output in the serial software when scanning barcode.

PARAMETERS

Baudrate 115200	Data Bits 8	Flow Control N	Stop Bits 1
-----------------	-------------	----------------	-------------

GHR202-#-RJ45/RS232 refer to picture as below



SCANNER POWER ON AND POWER OFF

RS232 Mode

Step1. Connect RJ45 / RS232 Cable and DC/USB Cable

Step2. Scan the barcode below, the scanner switches to USB COM mode.



RS232 Mode

Step3. Open a serial software, data will be output in the serial software when scanning barcode.

PARAMETERS

Baudrate 115200	Data Bits 8	Flow Control N	Stop Bits 1
-----------------	-------------	----------------	-------------

SCANNER LED AND BEEPER INDICATIONS

Operation	LED Indicator	Beeper Indicator
Power On	Green light blinks 3 times	Beep 3 times
Config Successfully	Green light blinks 2 times	Beep 2 times
Decode Successfully	Green light blinks once	Beep once

RESOURCE DOWNLOAD

For more information on product configurations, software, user guides, etc., please download from the website below:

<https://www.generalscan.cloud/resourcedownload>

Q & A

Question	Case	Solution
Why does the scanner cannot power on?	Scanner power supply is abnormal	Please reconect cables
		Reassemble the scanner
Why does the scanner cannot decode successfully?	The barcode symbology is wrong	Make sure that the scanner has enabled the code system for the barcode being scanned.
	Barcode not clear, damaged	Ensure bar codes are not smudged
	The distance between scanner and barcode is not correct	Re-scan by moving the scanner nearer or further
Why does data cannot transmitted to the terminal device after decoding successfully?	Incorrect host interface configuration	Reconfig interface parameters on terminal computer
	Output mode is wrong	Check whether the output mode is as required
	The connected cables loosen	Confirm or reconnect cables

Service Information

If you have any question of your GENERALSCAN product, please visit our service page for assistance.

www.generalscan.cloud/services

QUICK START GUIDE

Email: Support@generalscan.cloud

©2024 GENERALSCAN All rights reserved

Version 1.0



886783054001