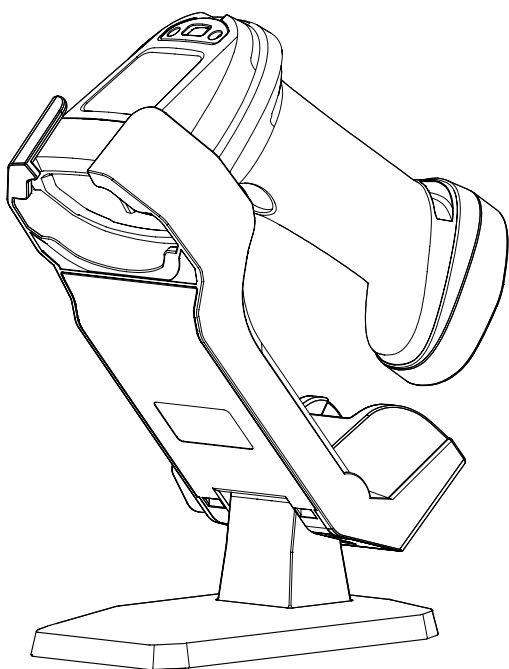


GENERALSCAN

GS P11

Wireless Handheld Scanner

QUICK START GUIDE



EN

■ GENERALSCAN QUICK START GUIDE

This guide introduces the assembly method and the basic configurations barcodes of the handheld scanner GS P11, you can adjust the settings and modes of your device according to your wishes and get it work easily. If any further questions, please contact:

support@generalscan.cloud

■ COPYRIGHT

GENERALSCAN reserves the right to make changes to any product to improve reliability, function, or design.

GENERALSCAN does not assume any product liability arising out of, or in connection with the application or use of any product, circuit, or application described herein.

■ BATTERY SAFETY

Do not immerse or expose to water or other liquids, or expose to fire, explosion, or other hazards.

Do not disassemble or open, crush, bend or deform, puncture, or shred.

Do not short circuit a battery or allow metallic or conductive objects to contact the battery terminals.

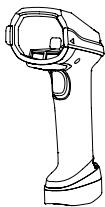
Do not use the battery if it is bulging, deformed or damaged.

To charge the mobile device battery, the battery and charger temperatures must be between +32°F and +104°F (0°C and +40°C).

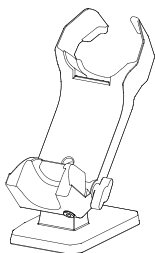
Do not use batteries other than those provided by GENERALSCAN, otherwise we will not be responsible for the consequences.

■ UNPACKING

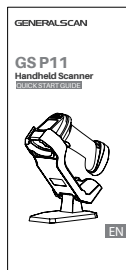
①



②



③



④



⑤



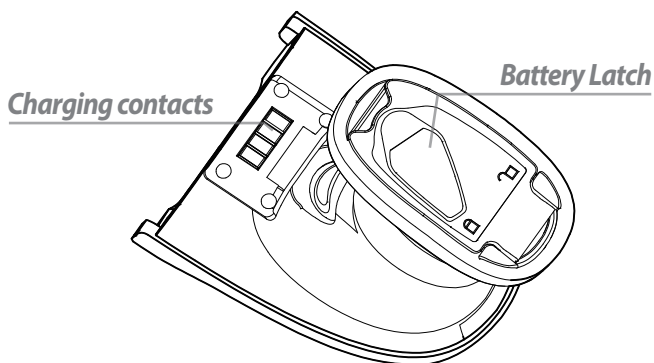
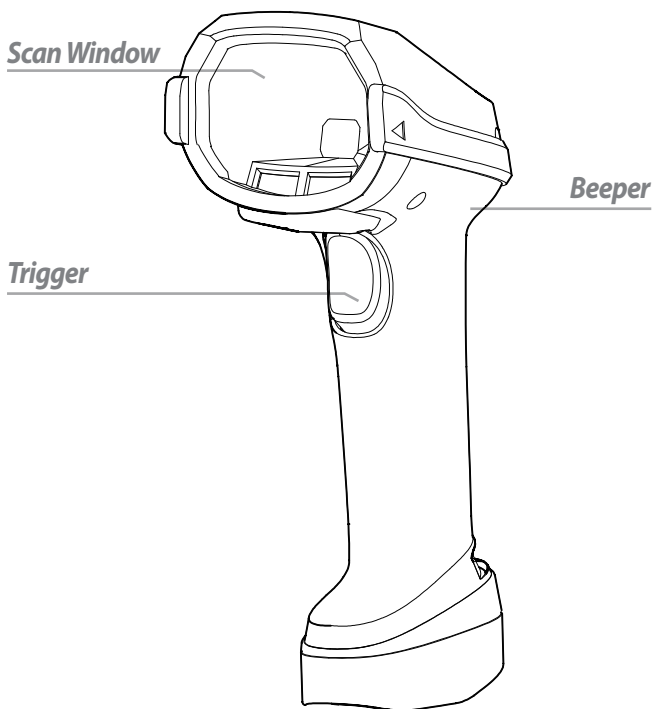
① GS P11 x 1; ② Cradle x 1; ③ Quick Start Guide x 1;

④ Adaptor x 1; ⑤ USB Cable x 1 or RS232 Cable x 1

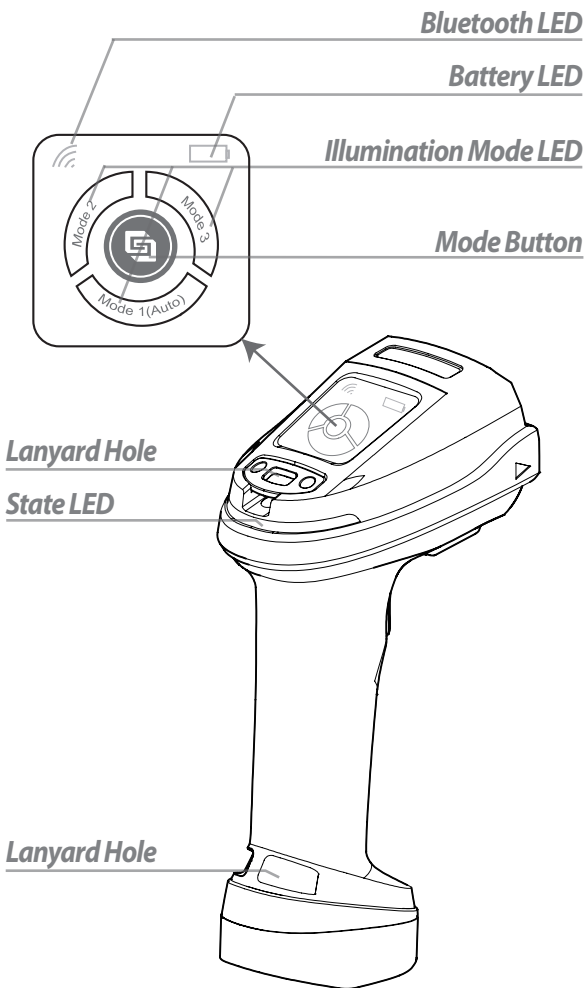
Note : Dierent models have dierent cables in the package.

Please refer to "DATA OUTPUT MODE" for details.

■ FEATURES



FEATURES



SWITCH ILLUMINATION MODE

We provide 3 illumination modes-white point light, red low angle ring light, red*/blue dome light.

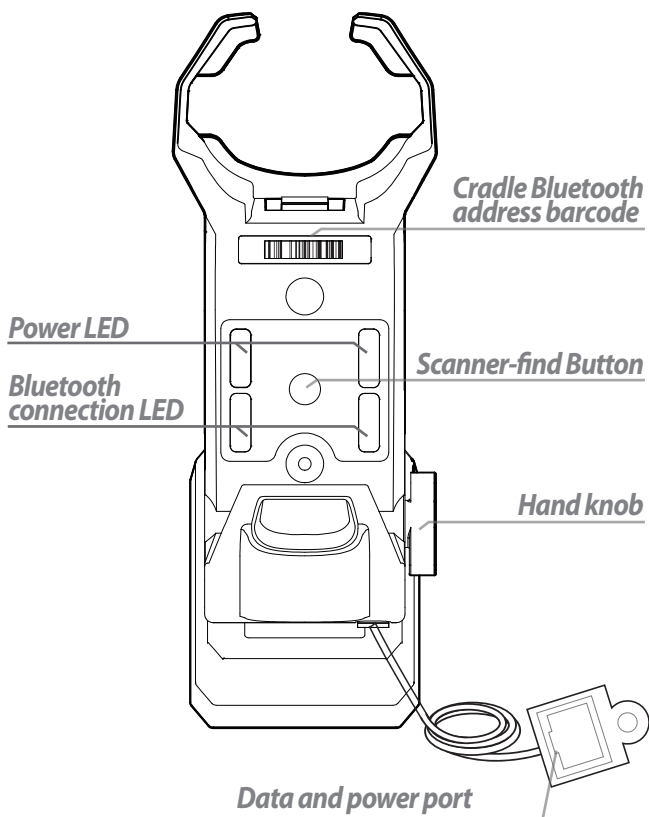
Switch the mode by pressing the Mode button, and the corresponding mode LED will light up.

Mode	Description
Mode1	Switching white/red/blue illumination automatically
Mode2	Red low angle ring light
Mode3	Blue dome light

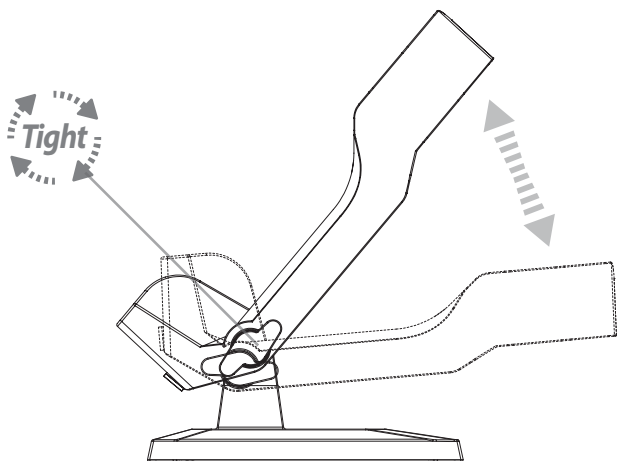


* Set to red dome light and other configurations in Easyscan.

■ FEATURES

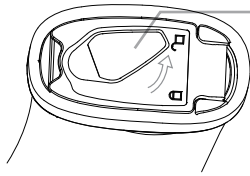


■ CRADLE ADJUSTMENT



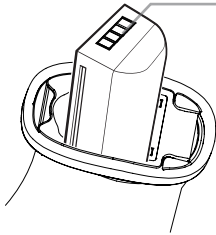
■ BATTERY INSERTION/REMOVAL

Step1. Flip the battery latch to the open position.



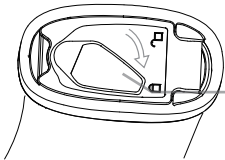
Unlock

Step2. Insert/Remove the battery.



Battery

Step3. Flip the battery latch to the close position.



Lock

■ POWER ON AND POWER OFF

Power on

Press the Trigger for 3 seconds to turn it on.

Power off

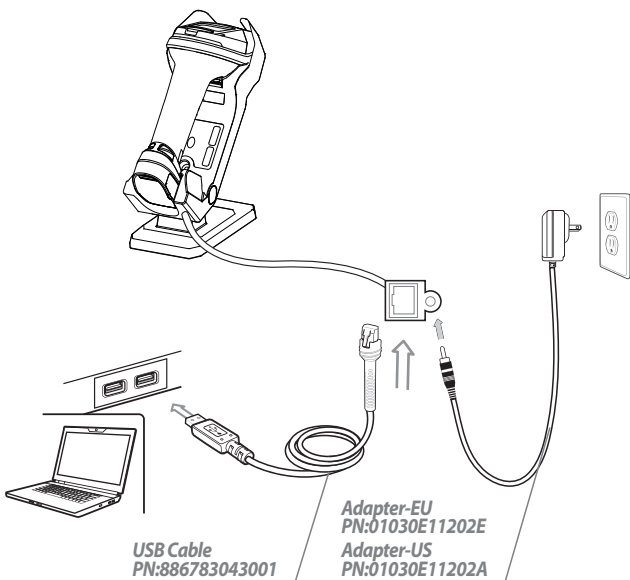
Scan the barcode below or keep standby for over 1 hour to turn it off.



Scanner power off

DATA OUTPUT MODE

P11-XX-USB-X refer to the picture as below



1. Connect Cable

Connect the USB Cable and the Power Adapter.

2. Bluetooth Connection of Scanner and Cradle

Put the scanner into the cradle and wait for 3 seconds to connect, or scanning the cradle bluetooth address barcode.

3. USB HID mode(Default)

Step1. Scan the barcode below, cradle switch to USB HID mode.



USB HID Mode (Default)

Step2. Open a notebook application. When you scan a barcode the data will appear at the cursor.

4. USB COM Mode

Step1. Scan the barcode below, cradle switch to USB COM mode.



USB COM Mode

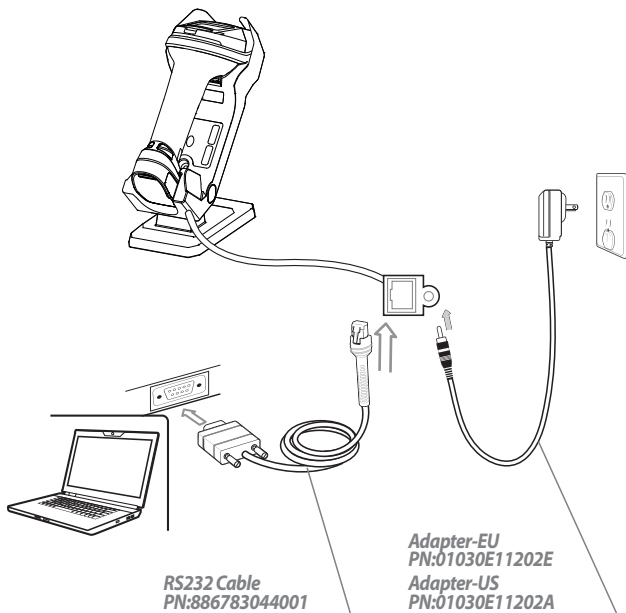
Step2. Open a serial port application, when you scan a barcode the data will be output in the serial port application.

Step3. Open the serial software, the barcode data will appear when scan the barcode.

PARAMETERS

Baudrate 115200	Data Bits 8	Flow Control N	Stop Bits 1
-----------------	-------------	----------------	-------------

P11-XX-232-X refer to the picture as below



RS232 Mode

Step1. Connect the RS232 Cable and the Power Adapter.

Step2. Bluetooth Connection of Scanner and Cradle

Put the scanner into the cradle and wait for 3 seconds to connect, or scanning the cradle bluetooth address barcode.

Step3. The date will be output in serial port software.

PARAMETERS

Baudrate 115200	Data Bits 8	Flow Control N	Stop Bits 1
-----------------	-------------	----------------	-------------

■ SCANNER ALONE BLUETOOTH CONNECTION

USB HID Mode (Default)

Step1. Scan the barcode below, scanner switch to USB HID mode.



Bluetooth HID Mode

Step2. Use the terminal to search and connect the scanner, and the Bluetooth name is the SN of the scanner and marked on the label. When connect successfully the bluetooth LED on scanner keep lighting, with prompt beep as well.

Step3. Open a notebook application. When you scan a barcode the data will appear at the cursor.

■ BASIC SETTINGS



Scanner Factory Setting

■ BASIC SETTINGS



Cradle Factory Setting



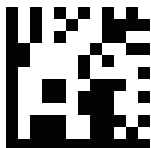
Bluetooth Disconnected



Standby for 10 min.



Standby for 1 hour (Default)



keep Standby



Carriage Return Suffix



Line Feed Suffix



**Carriage Return &
Line Feed Suffix**



Tab Suffix



Disable Suffix

Note: Download all configuration barcodes from www.generalscan.cloud

LED AND BEEPER INDICATIONS

Scanner

Operation	LED Indicator	Beeper Indicator
Power on	Battery green LED stays on	Three beeps
Decoding successful	State LED blinks green once	One beep
Decoding failed	State LED blinks red once	Low beeps
Configuration Barcode decoding successful	State green LED blinks once	Two beeps
Switch illumination mode	Illumination mode LED stays on	Two beeps
Bluetooth connected	Bluetooth LED stays on	Three beeps
Bluetooth disconnected	Bluetooth LED off	Three beeps
Charging	Battery yellow LED blinks	/
Full charge	Battery green LED stays on	/
Scanner put into the cradle	State LED blinks green once	Two beeps

Cradle

Operation	LED Indicator	Beeper Indicator
Press Scanner-find Button	State LED blinks green six times	Six beeps
Power on	Power LED stays on	/
Bluetooth connected	Bluetooth LED stays on	
Bluetooth disconnected	Bluetooth LED off	

SOFTWARE DOWNLOAD

Please download the EasyScan required to configurate at PC end from our website www.generalscan.cloud

Q & A

Problem	Possible Causes	Possible Solution
Scanner not working	No power to scanner	Check system power
Scanner not decoding bar code	Scanner not programmed for barcode type	Ensure scanner is programmed to read type of bar code being scanned
	Barcode not clear, damaged	Ensure barcode is not defaced
	Distance between scanner and bar code incorrect	Move scanner closer to, or further from barcode
Scanner decoding barcode, but data not transmitting to host	Host interface not configured properly	Scan appropriate host parameter barcodes
	Interface cable is loose	Ensure all cable connections are secure

Service Information

If you have any question of your GENERALSCAN barcode scanner, please visit our service page for assistance.

www.generalscan.cloud/services

QUICK START GUIDE

Email: Support@generalscan.cloud

©2023 GENERALSCAN All rights reserved

Version 1.0



886783019001